

SUNCREATIVE ATOM™ Electrical IDD

(Interface Definition Document)

Update date: 2017/12/xx

Version 1

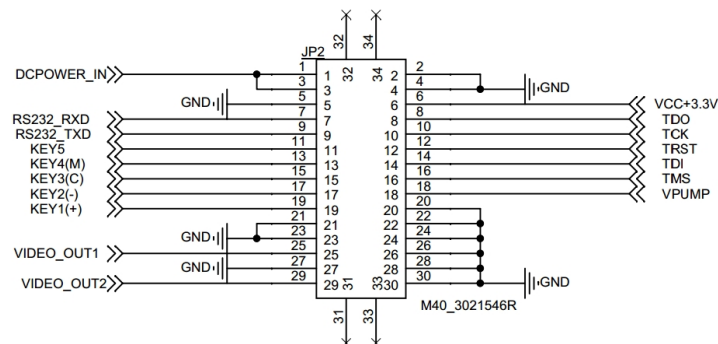
1 Pin Definition

Pin NO.	name	Function	Pin No.	name	Function
1	DCPOWER_IN	DC power input	2	GND	DC power (GND)
3	DCPOWER_IN	DC power input	4	GND	DC Power (GND)
5	GND	Signal ground	6	\	\
7	RS232_RXD	RS232 receive	8	\	\
9	RS232_TXD	RS232 send	10	\	\
11	KEY5	key	12	\	\
13	KEY 1 (M)	key	14	\	\
15	KEY (C)	key	16	\	\
17	KEY 3 (-)	key	18	\	\
19	KEY 2 (+)	key	20	GND	\
21	GND	Signal ground	22	GND	\
23	VGND	Video ground	24	GND	\
25	VIDEO_OUT1	Video Signal output 1	26	GND	\
27	VGND	Video ground	28	GND	\
29	VIDEO_OUT2	Video Signal output 2	30	GND	\

2 Interface definition

2.1 Analog connector

Connector type: M40_3021546R



2.2 Digital connector

Connector type: 503480_2000, the Pin arrangement is shown as below:

